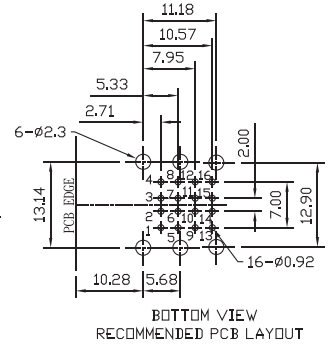
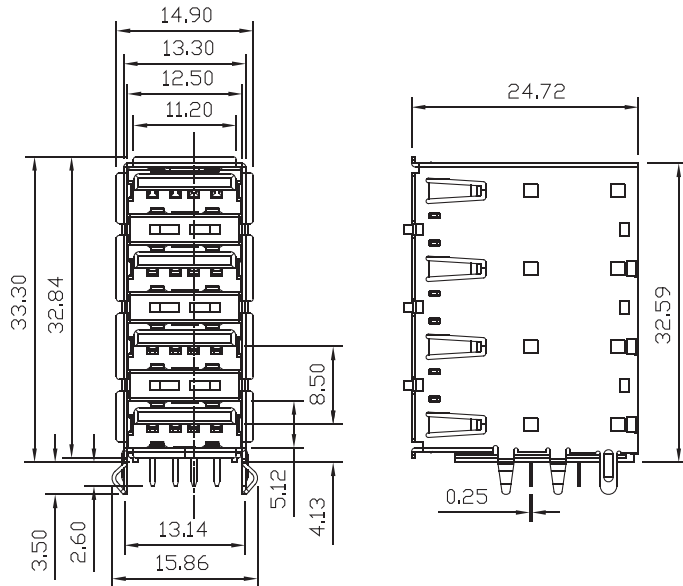


USB Female 4 Ports A Type



No.	Name	Qty	Material	Finish
1	Housing	1	PBT	Black
2	Pin Term, 1-2Port	8	Copper Alloy	Gold/Tin Plated
3	Pin Term, 3-4Port	8	Copper Alloy(C7025)	Gold/Tin Plated
4	Shell	1	Brass,0.4mm	Tin Plated
5	Shell	3	Brass,0.3mm	Tin Plated
6	Shell	1	Spcc,0.3mm	Nickel Plated
7	Spacer	1	PBT	Black

Part No.:USB-004-A□-L

B:Black W:White